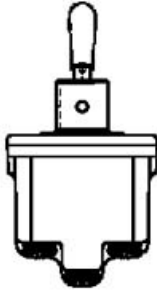




2NT1-1



NT Series Toggle Switch, 2 pole, 3 position, Screw terminal, Standard Lever

Actual product appearance may vary.

Features

- Completely sealed switching chamber
- NEMA 3, 3R, 4, and 13
- UL recognized, File E12252, Vol. 1, Section 44
- CSA certified, File LR4442
- CE approved

Potential Applications

- Aerial lifts, scissor lifts, truck mounted tele-handlers, and cranes
- Construction equipment
- Agriculture equipment
- Material-handling equipment
- Factory-floor control units
- Machine tool equipment manufacturers

Description

MICRO SWITCH™ NT Series toggle switches meet the need for a rugged, cost-effective toggle switch. Quality construction features include a seal between the toggle lever and bushing, and between the cover and case. These switches can be used where panels are subject to splashes, hosedowns, or outdoor environments. The "Easy-Start" threaded bushing enables quick alignment of mounting nut to decrease the chance of cross threading. The panel stand-off with O-ring feature available on some listings, eliminates the need for behind-the-panel hardware, provides uniform panel height, and provides a panel to cover seal.

Product Specifications			
Circuitry/ Operating action	Keyway Position	Center Position	Opposite Keyway Position
		<p>1 2 3</p>	<p>1 2 3</p>
	<p>6 5 4</p> <p>ON</p>	<p>6 5 4</p> <p>OFF</p>	<p>6 5 4</p> <p>ON</p>

Product Type	MICRO SWITCH™ Toggle Switch
Ampere/ Voltage Range (Resistive Load)	0.5 A to 20 A at 0.5 Vdc to 28 Vdc,0.75 A at 115 Vdc,0.5 A at 250 Vdc,0.5 A to 15 A at 0.5 Vac to 277 Vac
Circuitry	DPDT
Action	3 position
Mounting	Bushing 15/32 in
Termination	Screw
Lever Type	Standard
UL/CSA Rating Code	L191: 15 A-125, 250, 277 Vac; 1/2 Hp-125 Vac; 1 Hp- 250, 277 Vac; 5 A-120 Vac "L"
Comment	Thermoplastic case
Availability	Global
UNSPSC Code	30211908
UNSPSC Commodity	30211908 Toggle switches
Series Name	NT

MICRO SWITCH
a Honeywell Division

FED. MFG. CODE 91929

SWITCH - TOGGLE

2NT1 SERIES CHART 1

CATALOG LISTING

THIS DRAWING COVERS A PROPRIETARY ITEM AND IS THE PROPERTY OF MICRO SWITCH. A DIVISION OF HONEYWELL. THIS DRAWING IS NOT TO BE COPIED OR USED WITHOUT THE APPROVAL OF MICRO SWITCH

CATALOG LISTING
2NT1 SERIES CHART 1

ISSUE
11

REVISIONS
A C095305
TSM 10NOV99
B CO-94328
S A V 22 NOV 99
C 207607
L J B 7 MAR 03
D 207782
C S L 27 MAR 03
E 0000189
C S L 28 APR 03
F 0006540
KR 12 JUL 04
G 0009175
AS 08NOV04

REPLACES
08NOV04

CHECK
AK

CHECK
AK

CHECK
AK

CHECK
AK

CHECK
AK

CHECK
AK

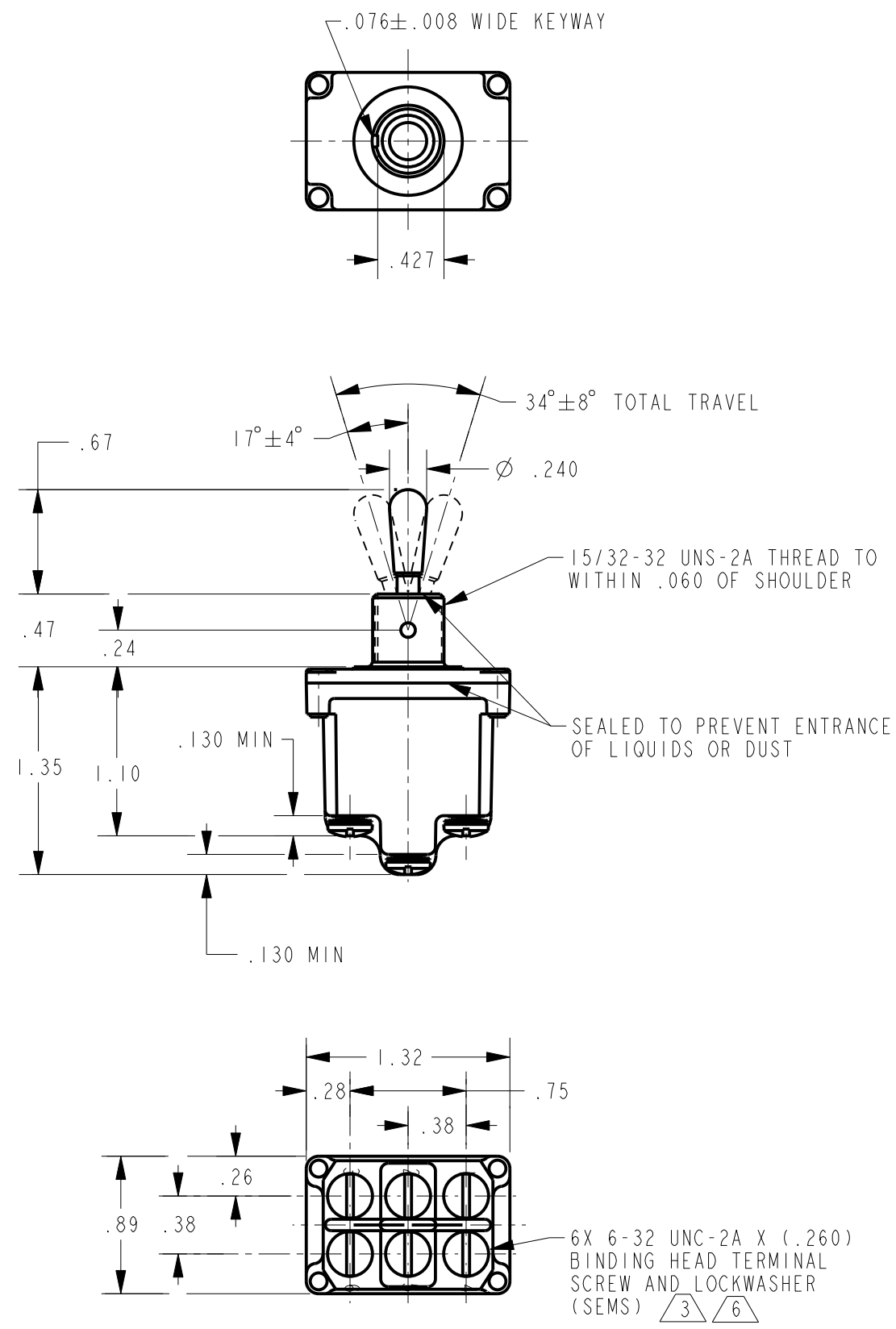
CHECK
AK

CHECK
AK

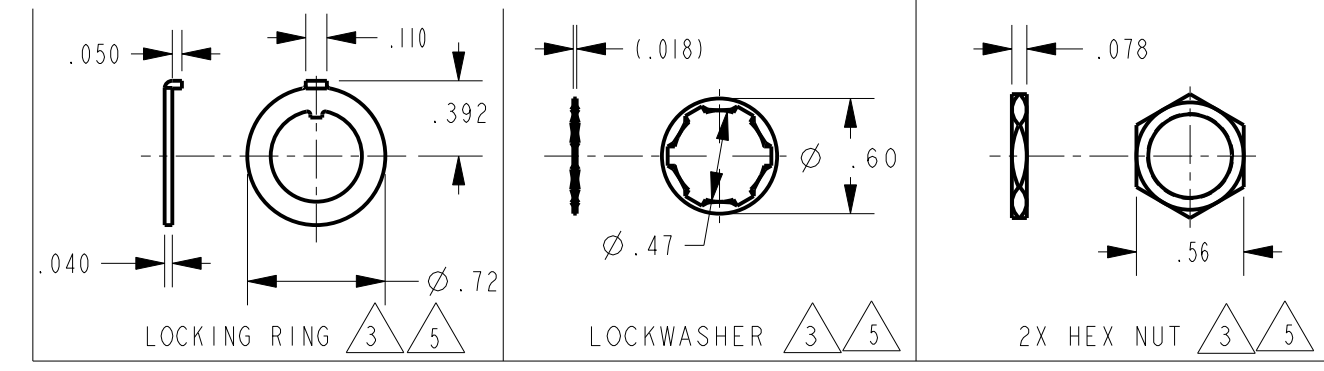
CHECK
AK

CHECK
AK

PTC/CAD 2D



CATALOG LISTING	CIRCUIT MADE WITH TOGGLE LEVER IN			ELECTRICAL DATA
	KEYWAY SIDE (1-2, 4-5)	CENTER (1-2, 4-5)	OPPOSITE KEYWAY (2-3, 5-6)	
2NT1-1	ON	OFF	ON	L191 15A 125, <u>250</u> , 277 VAC 1/2HP 125 VAC 1HP <u>250</u> , 277 VAC 5A 125 VAC "L"
2NT1-2	OFF	NONE	ON	
2NT1-3	ON	NONE	ON	
2NT1-21	NONE	OFF	ON	
2NT1-31	NONE	ON	ON	
2NT1-4	MOM OFF	NONE	ON	L192 10A 125, <u>250</u> , 277 VAC 1/4HP 125 VAC, 1/2HP <u>250</u> , 277 VAC 3A 125 VAC "L"
2NT1-5	MOM ON	OFF	ON	
2NT1-6	MOM ON	NONE	OFF	
2NT1-7	MOM ON	OFF	MOM ON	
2NT1-8	MOM ON	NONE	ON	
2NT1-51	NONE	ON	MOM ON	
2NT1-61	MOM ON	OFF	NONE	



- NOTES**
- SWITCHES ARE CAPABLE OF WITHSTANDING A TEMPERATURE OF 160°F CONTINUOUSLY AT FULL RATED LOAD
 - MICRO SWITCH CAT. LIST. MARKED ON SIDE OF SWITCH FURNISHED UNASSEMBLED
 - APPLIES ONLY TO "ON" AND "MOMENTARY ON" POSITIONS
 - "NH" SUFFIX MUST BE ADDED TO SPECIFY NO HARDWARE (EX 2NT1-1-NH)
 - "COMB" SUFFIX MUST BE ADDED TO SPECIFY 6-32 UNC-2A X (.260) COMBINATION DRIVE STYLE BINDING HEAD TERMINAL SCREW AND LOCKWASHER (SEMS) (EX 2NT1-7-COMB)

THIRD ANGLE PROJECTION	
SCALE	FULL
DO NOT SCALE PRINT	
UNLESS OTHERWISE SPECIFIED TOLERANCES ARE	
ONE PLACE	(.0) ±.030
TWO PLACE	(.00) ±.015
THREE PLACE	(.000) ±.005
ANGLES	±
WEIGHT	.12 LBS APPROX

ANSI Y14.5M-1982 APPLIES